

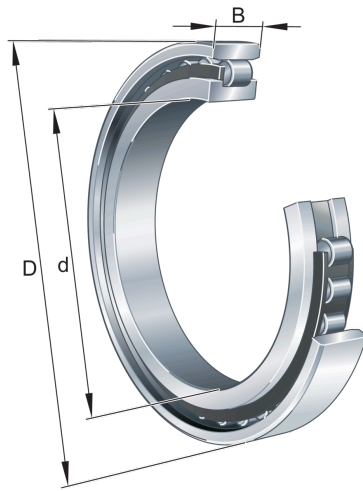
**FAG****N305-E-XL-TVP2**

Cylindrical roller bearing

Schaeffler ID:
0167339160000

Cylindrical roller bearing N3..-E-TVP2, with cage, single row, non-locating bearing, 0 ribs on outer ring, 2 rib on inner ring, type N3

Technical information

**Main Dimensions & Performance Data**

d	25 mm	Bore diameter
D	62 mm	Outside diameter
B	17 mm	Width
C_r	49,000 N	Basic dynamic load rating, radial
C_{0r}	37,500 N	Basic static load rating, radial
C_{ur}	5,700 N	Fatigue load limit, radial
$n_{G\text{ Grease}}$	14,100 1/min	Limiting speed for grease lubrication
$n_{G\text{ Oil}}$	16,500 1/min	Limiting speed for oil lubrication
	0.24 kg	Weight

Dimensions

$r_{1\text{ min}}$	1.1 mm	Minimum chamfer dimension
s_1	1.4 mm	Axial displacement
E	54 mm	Raceway diameter outer ring

Mounting dimensions

$d_{a\text{ min}}$	32 mm	Minimum diameter shaft shoulder
$D_{a\text{ max}}$	55 mm	Maximum diameter of housing shoulder
$r_{a1\text{ max}}$	1 mm	Maximum recess radius

Temperature range

T_{min}	-30 °C	Operating temperature min.
T_{max}	120 °C	Operating temperature max.